

Data sheet light

Citygrid Gateway DIN MKII

P/N D22006

The data sheet light contains limited information on the product. See the full data sheet for more information.



ELECTRICAL CHARACTERISTICS			
Specification item	Value	Unit	Condition
Universal input voltage	5±0.25	V _{dc}	
Input current	>=2.4	A	
Maximum power consumption	.10.0	W	

INTERFACES		
Specification item	Value	Indication
LED - Power	Powered	LED ON
	Not powered	LED OFF
LED - Mobile connection	Connected	LED flash every 3 second
	Not connected	LED flash every second
LED - Mesh network condition	Connected	LED ON
	Not connected	LED Flashes

WIRELESS COMMUNICATION			
Specification item	Value	Unit	Condition
Gateway ratio	1:250	Controllers	Maximum 250 Controllers per gateway
Frequency Range Citygrid network	868.3	MHz	The frequency is set when running the Producer App to match European / Australian regulation.
Standard	IEEE 802.15.4		
Protocol	6LowPAN		
Encryption	AES-128		
Over-the-air update	Yes		
Recommended distance between units	<50	m	Luminaire design and antenna placement subject to influencing range
Maximum Range*	200	m	
2G Band	B3, B3, B5, B8		
4G LTE CATM1 Band	B1, B2, B3, B4, B5, B8, B12, B13, B18, B19, B20, B25, B26, B28, B66, B71, B85, B8_39d		

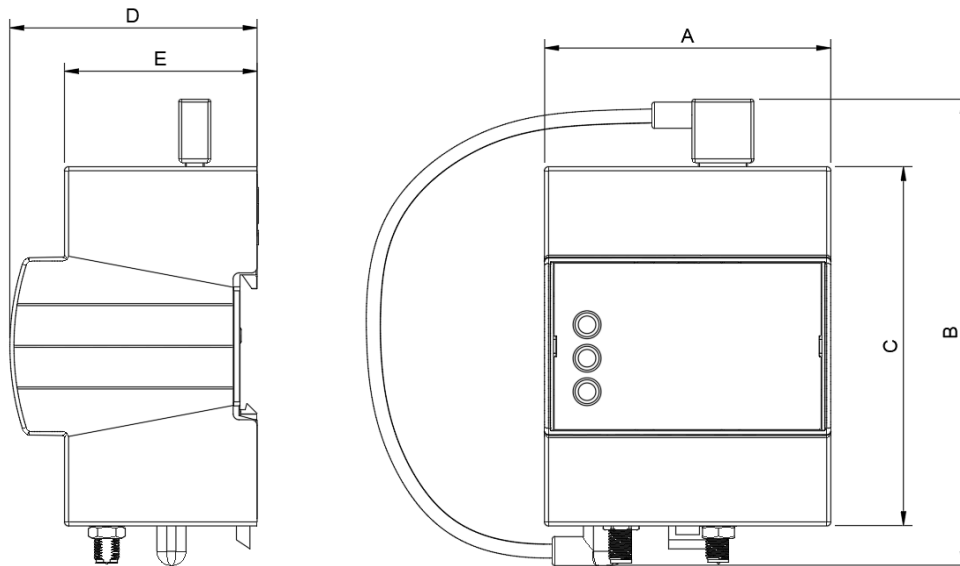
* Maximum range under ideal conditions such as RF matching, line of sight, maximum power. Actual results may vary depending on the customer's design.

PROTECTION			
Specification item	Value	Unit	Condition
Isolation input to output	Class II		Applies to power supply.
IP rating	IP20		

TEMPERATURE & HUMIDITY			
Type	Value	Unit	Condition
Operational temperature	-30 to +60	°C	Ambient
Storage temperature	-40 to +80	°C	Ambient
Relative humidity	10-90	%	Non condensing. For use up to 2000m above sea level

DIMENSIONS & WEIGHT			
Item	Value	Unit	Comment
A	72 / 4M	mm	Width. 4M stands for 4 modules and refers to the standard DIN module of 18 mm.
B	120	mm	Height
C	90.5	mm	Depth
D	61	mm	
E	48.5	mm	
Cable	250	mm	Length
Weight	157	g	

The measurements are rounded to the nearest half mm.



CAUTION

- Avoid touching live parts.
- Do not use the product with damaged housing, connectors or wires.
- The product should only be installed by a trained or qualified person.

