

FAGERHULT

SE - 566 80 Habo

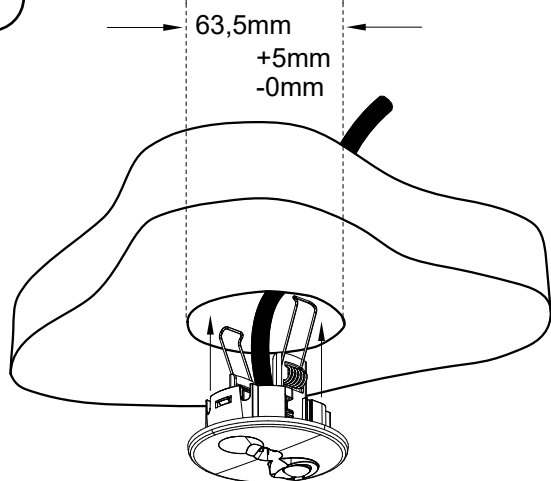
Organic Response I/O box



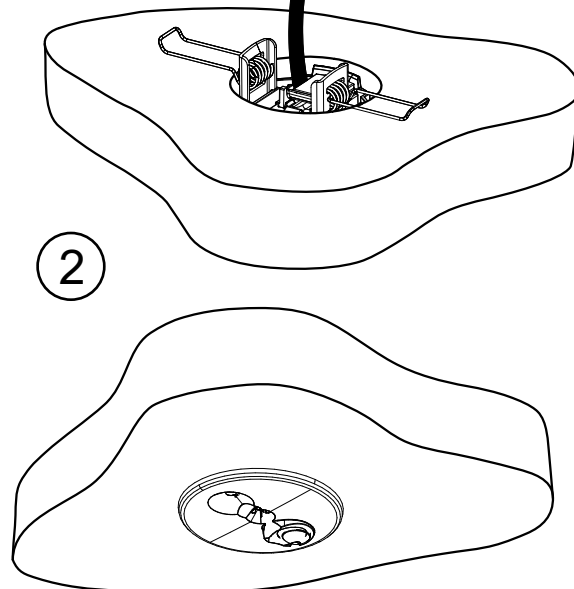
Recessed



1



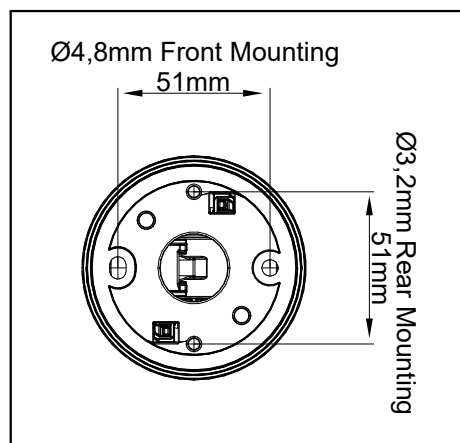
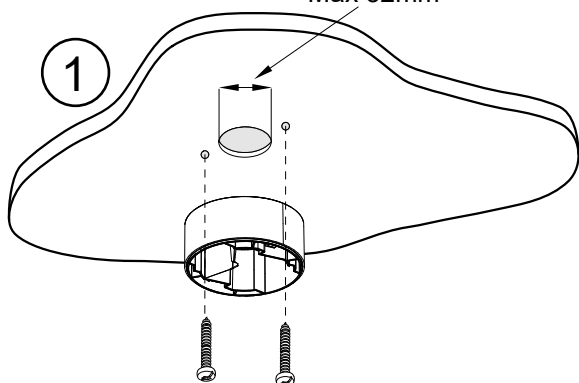
2



Surface

Min 6mm
Max 32mm

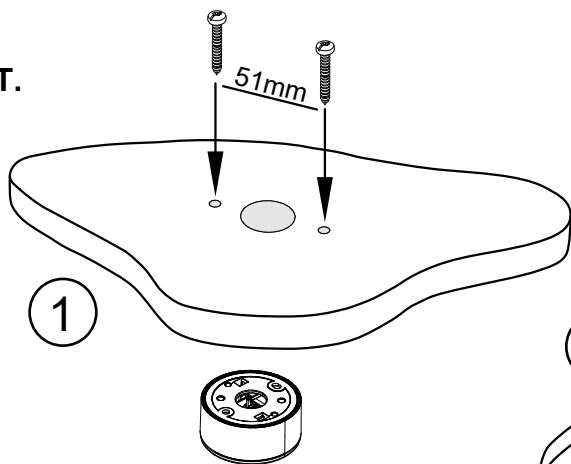
1



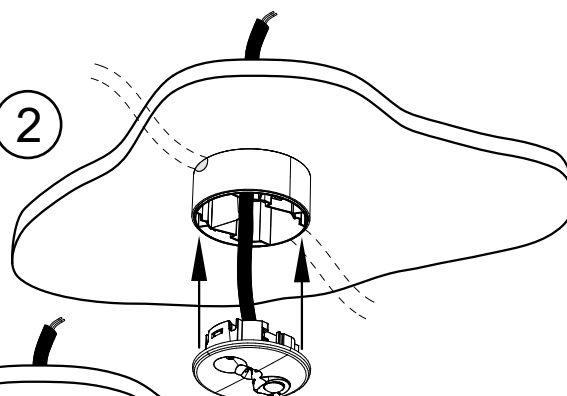
ALT.

51mm

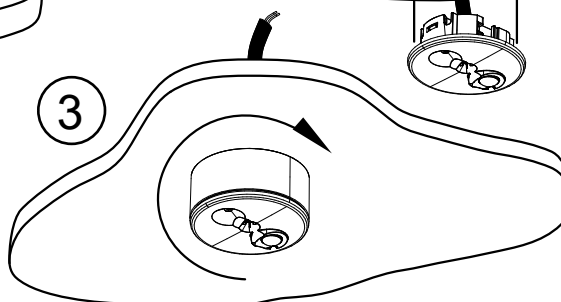
1



2



3



Det är lämpligt att denna information överlämnas till användaren av anläggningen.



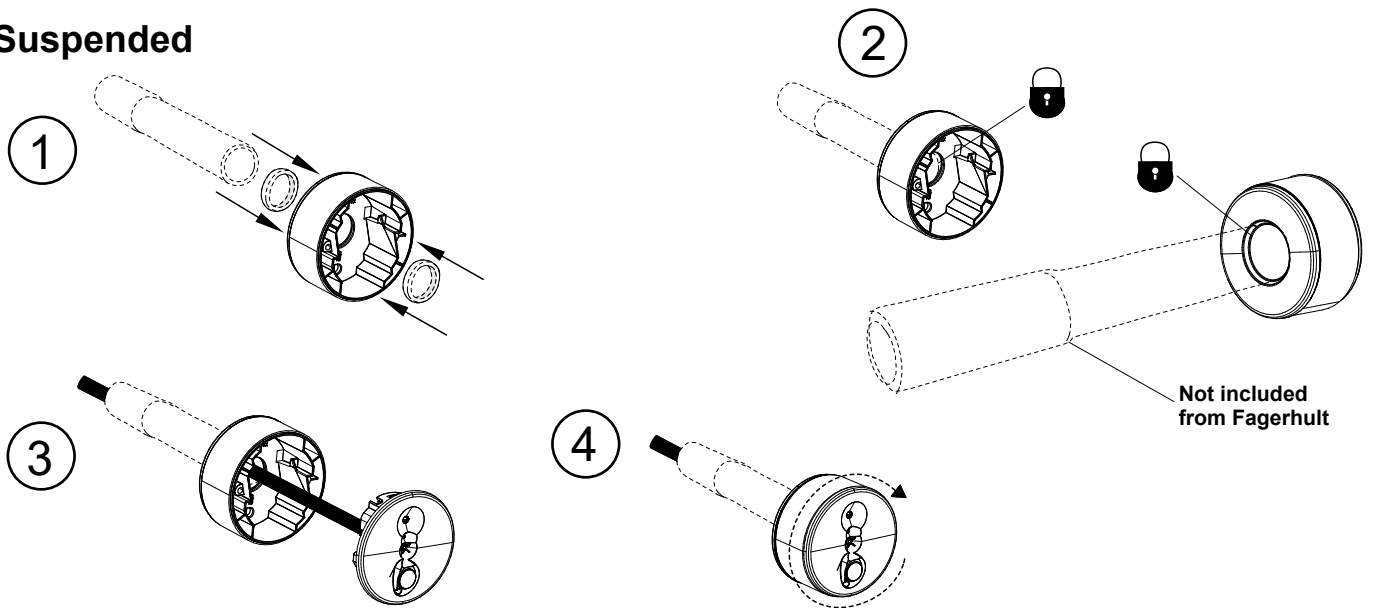
It is appropriate that this information is passed on to the users of the installation.

Manufactured by Fagerhult Sweden.
For UK market importer Fagerhult UK
33-34 Dolben Street, London, SE1 0UQ

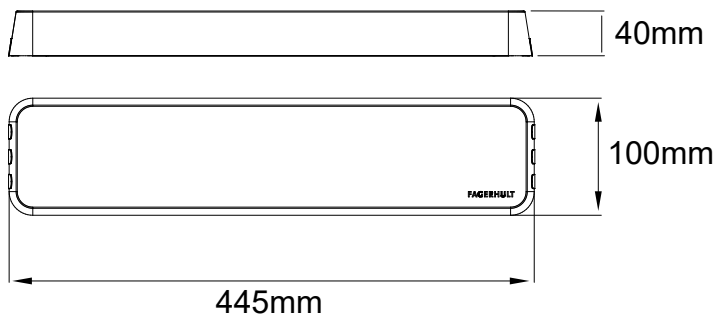
FAGERHULT

SE - 566 80 Habo

Suspended



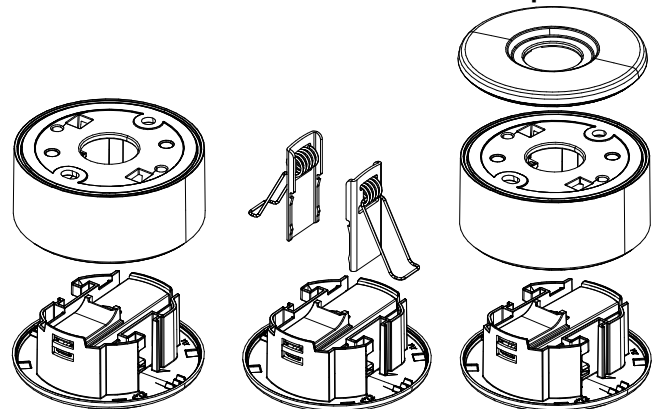
I/O box



Surface

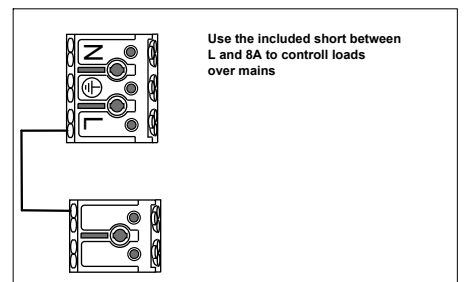
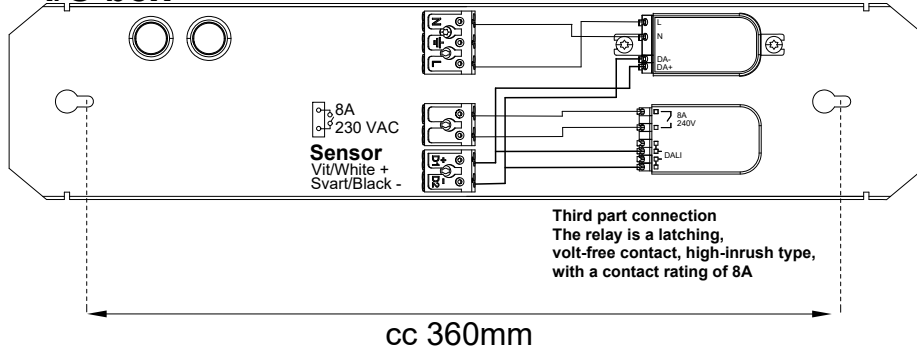
Recessed

Suspended



I/O box

Max 4 drivers connected to 1 I/O box via DALI



Use the included short between L and 8A to control loads over mains

Third part connection
The relay is a latching,
volt-free contact, high-inrush type,
with a contact rating of 8A

cc 360mm

5436923 Utgåva/Edition 03

(S) Grundläggande isolering mellan nät och styr ledning.

(GB) Basic insulation between mains and control wiring.

Rekomenderad placering/
Recommended placement

