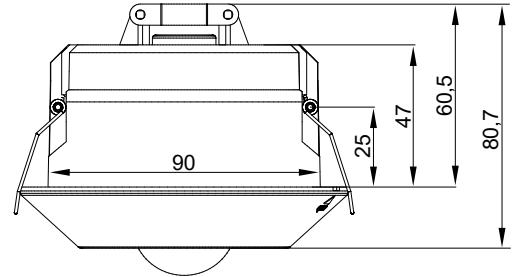
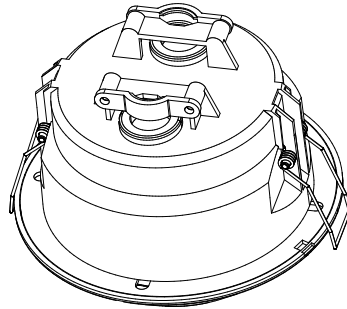
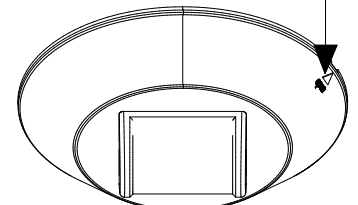
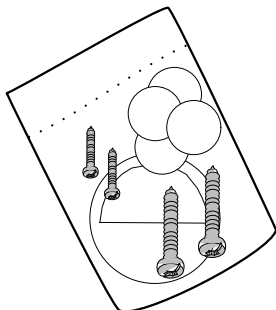
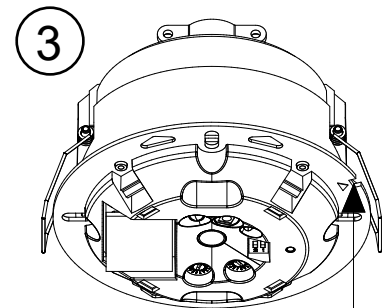
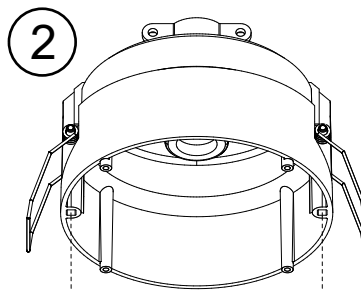
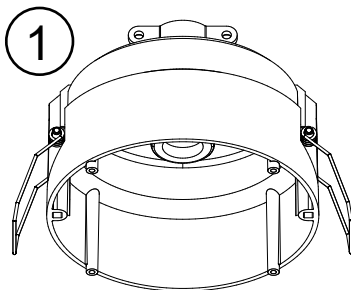
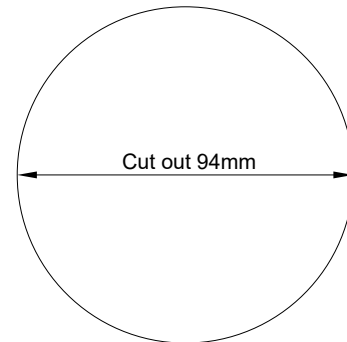


E-Sense Customised Stand Alone Spring mounting back box



Suitable for e-Sense Customised
Stand alone sensor 86370 and 86371



OR

